



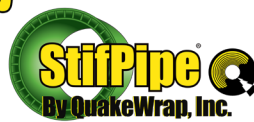
World's most innovative solution provider for pipe renewal and strengthening using fiber reinforced polymer (FRP)



Water Main, Sewer, Storm Pipe Rehab



Wet Layup



Restore Systems to Original Capacity

Deteriorated and leaking pipes are a major concern for pipeline owners and operators. FRP products offer unique solutions particularly when strengthening existing pipelines are required. QuakeWrap provides a complete line of products and several patented technologies for pipeline renovation. We offer solutions for a wide range of pipe diameter sizes from 4 inches (100mm) to over 180 inches (4.5 m). Most of these techniques are performed as trenchless, requiring zero or minimal excavation. Numerous award-winning projects attest to our unique capabilities and innovative solutions for pipeline repair.

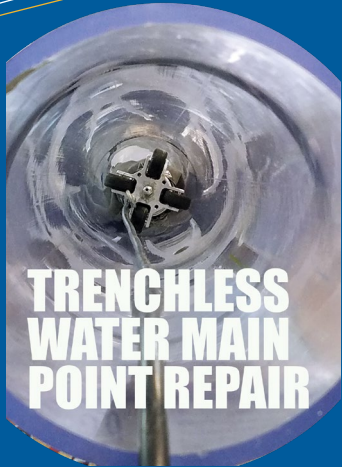
Thin sheets of FRP with a thickness of approximately 0.05 inch (1.3 mm) can be applied to the outside or inside surface of the pipe similar to wallpaper to strengthen the pipe. These materials cure within a day and reach a tensile strength three times that of steel.

Features & Benefits

- **Trenchless technology** requiring zero or minimal excavation
- Can increase the pressure rating of the pipe significantly
- Repairs can be done internally or externally
- Minimal increase in wall thickness (typically ¼ inch (5mm))
- The smooth FRP lining will improve flow capacity of the pipe
- Repairs are fast with minimal downtime
- **Can be used to rehabilitate pipes, manholes, and essentially any type of structure to convey or store fluids**
- Ideal for pipe relining renewal or spot repairs at damaged areas
- We offer pipe rehabilitation solutions for essentially any size and shape.

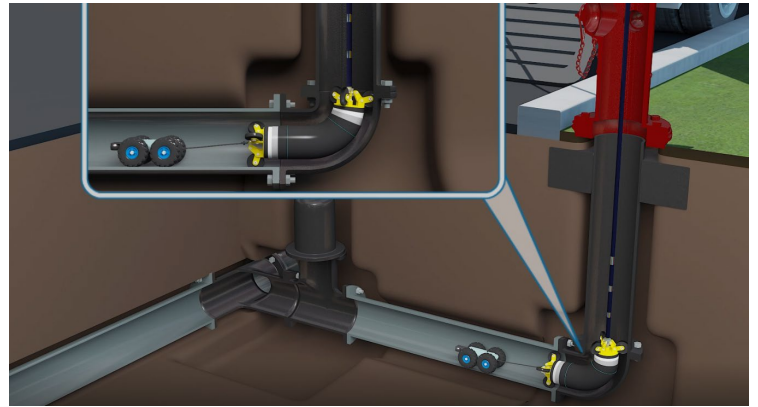


We invite you to visit PipeMedic.com to fully appreciate the case studies, videos and other benefits of this amazing versatile rehabilitation system.



SuperLaminate™ is currently being adapted to water distribution and transmission mains with NSF-61 certified resin.

This initiative is supported by a US EPA/SBIR grant and the goal is to transfer the SuperLaminate™ technology to drinking water main applications as the only no-dig point repair technique. It can be applied to water mains from 6 inches in diameter and greater.



World's Only No-Dig Structural Water Main Point Repair System

The SuperLaminate™ system is comprised of an engineered carbon and glass fiber up to 60 inches wide, which are saturated with epoxy. Then the resin-saturated fabrics are externally wrapped around a packer that can go through straight pipes and 90-degree elbows by a robotic pipe ranger with rugged wheels, light and camera.

1. As the only no-dig water main point repair system in the industry, SuperLaminate™ meets both the strength and NSF-61 safety standards. The constant and uniform heating system in the packer shortens curing time, which enables returning the water main back to service within 4 hours upon a repair.
2. SuperLaminate™ has been successfully applied for almost a decade in gas pipeline rehabilitation to withstand 250 psi internal pressure. The technology was awarded as the Trenchless Technology's 2011 Project of the Year. Also, it was recently applied for vertical point repair of a fiberglass recovery well casing at 600 ft deep at a copper mine. The SuperLaminate™ for the well casing application was designed to 1,000 psi pressure and the recovery well was returned to service within 24 hours upon starting the curing process.
3. In the light of advantages it provides, and a decade long history of successful applications in the gas & mining industries, now the system is getting momentum to be applied in small diameter water transmission and distribution mains with support from EPA and industry professionals.

Contact Information

info@quakewrap.com
Address: QuakeWrap, Inc.
6840 S. Tucson Blvd.
Tucson, AZ, 85756, USA
Phone: (520) 791-7000
Toll Free: 1-866-QuakeWrap[782-5397]



Certified to
NSF / ANSI 61



QuakeWrap™
The Infrastructure
Innovators™



Backed by
US EPA Small Business
Innovation Research (SBIR)
Contract No.
68HERD19C0018,
May – Oct 2019

